

Spare parts list

Edition 20120725



Valid for serial no. 210-xxx-xxx

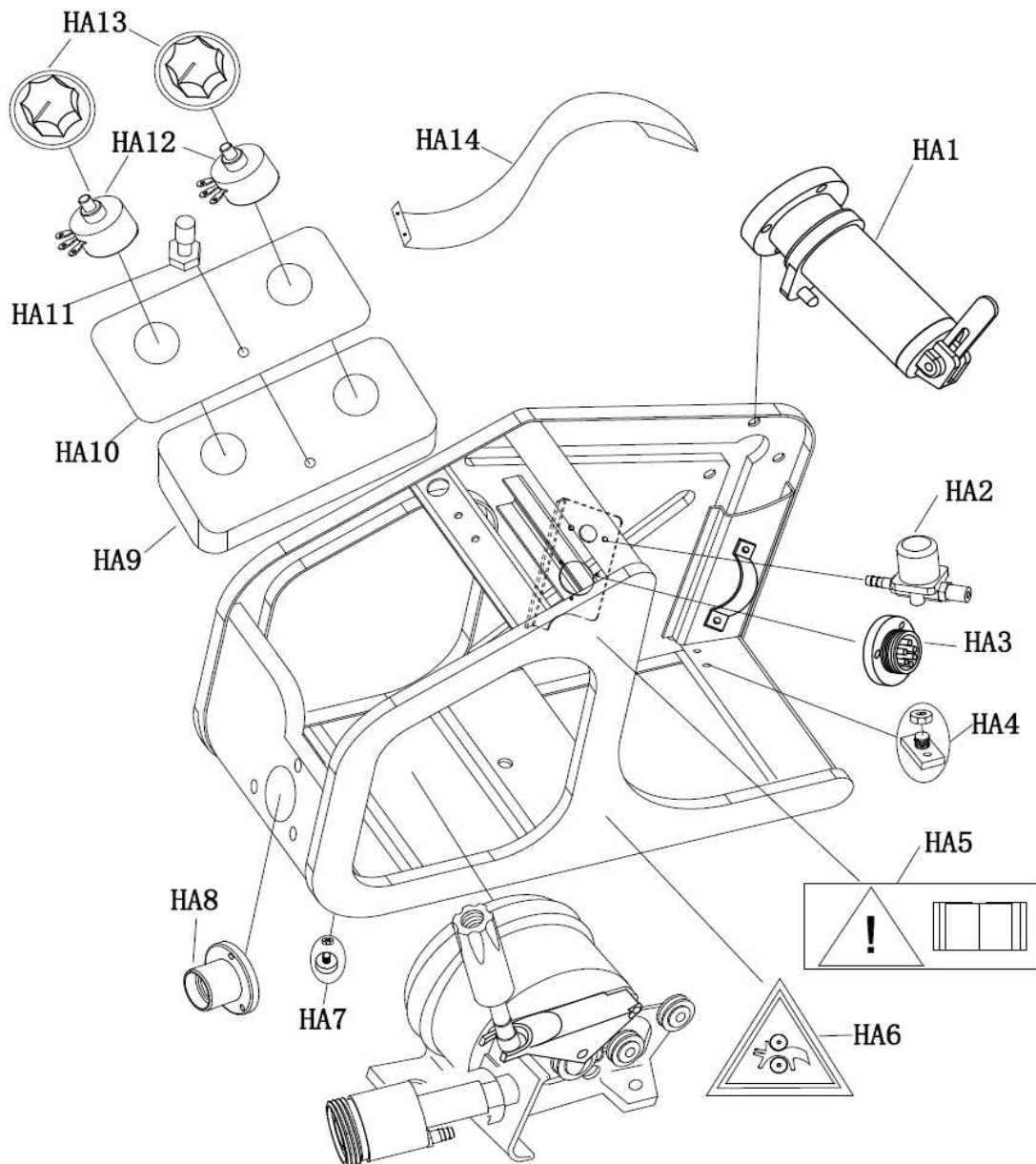
Ordering no.	Product
0700 301 200	Buddy™ Feed 402

Spare parts are to be ordered through the nearest ESAB agency. Kindly indicate type of unit, serial number, denominations and ordering numbers according to the spare parts list.

Maintenance and repair work should be performed by an experienced person, and electrical work only by a trained electrician. Use only recommended spare parts.

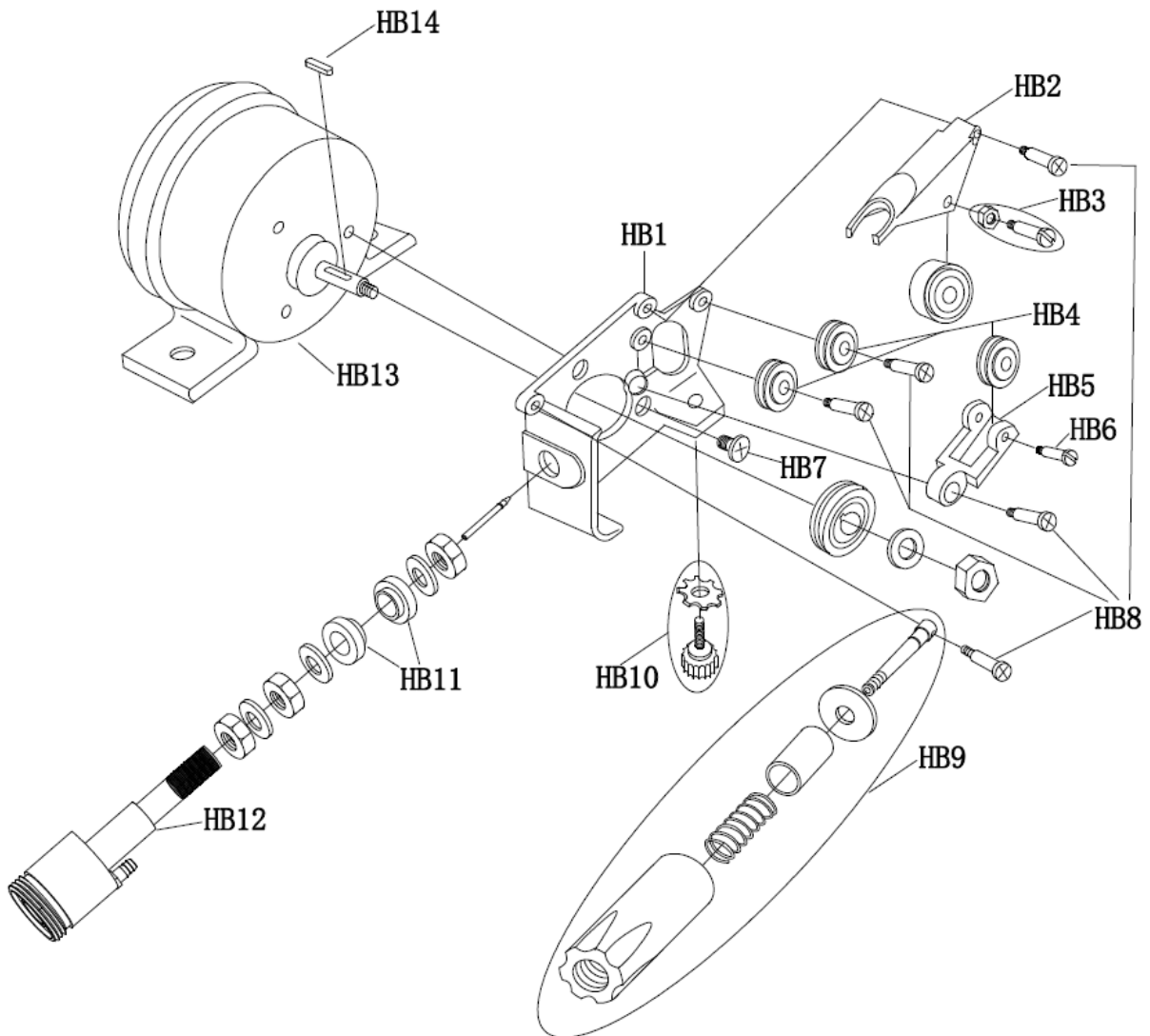
Feed 402

Item	Qty	Ordering no.	Denomination	Notes
HA1	1	0700 301 211	Brake Hub	
HA2	1	0700 301 212	Solenoid valve	
HA3	1	0700 301 213	Socket, control cable	incl. pins
HA4	1	0700 301 214	Insulation mounting, Welding cable	
HA5	1	0700 300 978	Sign	Read Instruction manual
HA6	1	0700 301 216	Sign	Hazard - Rotating parts with locking nut
HA7	4	0700 301 217	Rubber foot	
HA8	1	0700 301 218	Bushing, Euro connector	
HA9	1	0700 301 219	Control box	
HA10	1	0700 301 220	Silkscreen printing	Voltage, WFS & Inching
HA11	1	0700 301 221	Wire inching button	
HA12	2	0700 300 932	Potentiometer	Voltage & WFS
HA13	2	0700 301 223	Knob	Voltage & WFS
HA14	1	0700 301 238	Reel cover	Transparent



Feed 402

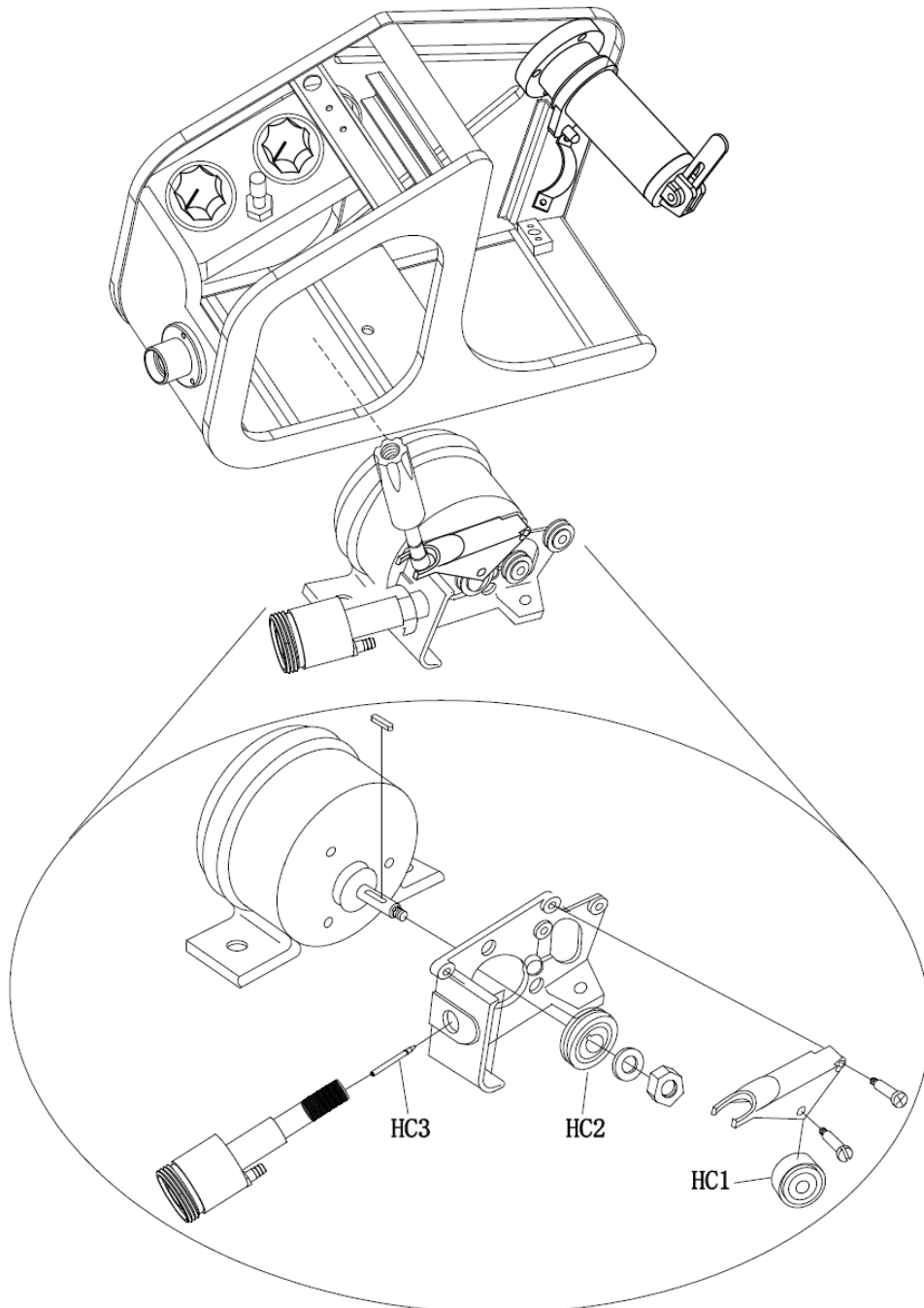
Item	Qty	Ordering no.	Denomination	Notes
HB1	1	0700 301 224	Housing, wire feed	
HB2	1	0700 301 225	Pressure arm	
HB3	1	0700 301 226	Axle, pressure roller	with locking nut
HB4	3	0700 301 227	Roller, wire straightener	
HB5	1	0700 301 228	Housing, wire straightener	
HB6	1	0700 301 229	Axle, wire straightener	Flat
HB7	3	0700 301 230	Screw, wire feed motor	
HB8	5	0700 301 231	Axle	Philips
HB9	1	0700 301 232	Pressure device set	
HB10	1	0700 301 233	Knob, wire straightener	with washer
HB11	2	0700 301 234	Insulator	
HB12	1	0700 301 235	Current connection	Euro
HB13	1	0700 301 236	Motor, wire feed	24V, DC
HB14	1	0700 301 237	Woodruff key	



Feed 402

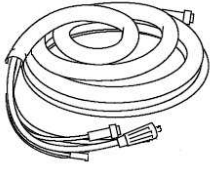
Wear parts

Item	Qty	Ordering no.	Denomination	Notes
HC1	1	0700 301 203	Pressure Roller	Flat
HC2	1	0700 301 204	Feed Roller, Ø 0.8 - 1.0 mm, V groove	For Fe & Ss wires
	1	0700 301 205	Feed Roller, Ø 1.0 - 1.2 mm, V groove	For Fe & Ss wires
	1	0700 301 206	Feed Roller, Ø 1.2 - 1.6 mm, V groove	For Fe & Ss wires
	1	0700 301 207	Feed Roller, Ø 1.2 - 1.2 mm, V groove	For Fe & Ss wires
	1	0700 301 208	Feed Roller, Ø 1.2 - 1.6 mm, U groove	For Al wires
	1	0700 301 209	Feed Roller, Ø 1.2 - 1.6 mm, Knurled V groove	For cored wires
	1	0700 301 202	Feed Roller, Ø 1.2 - 1.2 mm, Knurled V groove	For cored wires
HC3	1	0700 301 210	Outlet Guide	SS Tube incl. circlip



Feed 402

Accessories



Connection Set, 70mm²

15m 0700 301 300

25m 0700 301 301

Comprises of welding cable, gas hose & control cable

